

S450 圓鋸片研磨機

SAWBLADE SHARPENING MACHINE

Professional Class Sawblade Sharpening Machine 專業級的鋸片研磨機

Instruction of Functions 功能介紹

- A Firm Floor Model Machine 穩定性佳的落地型機種。
- Sharpening Capability of High-low Teeth. 高低齒的研磨功能。
- It is adjusted by a control dial the teeth high-low difference. The C type teeth with high-low difference could be ground out the same time. 由一個齒高低差控制鈕調整，可以同時研磨出有高低差的C型齒。

The Adjustment of The Sawblade Thickness 鋸片厚度調整

- The sawblade thickness is adjusted by a precision graduator. It could accurate adjust the center point of the sawblade 鋸片厚度經由一個精密的刻度表，可以準確的調整出鋸片的中心點。

Variable Speed Switch 變極開關

- The transmission motor could be changed from 4P into 8P freely by the variable speed switch. The maximum of 4P grinding speed is 180 teeth and the minimum of 8P grinding speed is 45 teeth. 傳動馬達可經由變極開關，4P、8P自由轉換，4P最快研磨速度180齒，8P最慢研磨速度45齒。

Stepless Change 無段變速

- It uses the stepless change pulley, therefore, the grinding speed could be adjusted following the changes of the teeth pitch per your need. 使用無段變速皮帶輪，所以可隨齒距的變化來調整所需要的研磨速度。

Bran-new Design 全新設計

- This machine is well-designed for years and it is a professional class sawblade sharpening machine. 本機經過多年的精心設計，是一部專業級的鋸片研磨機。
- Bran-new design; this sharpening machine is designed in the operator's position. All of the adjusting levers are arranged reasonably. In this way, the operator could adjust the cutting angle, the back clearance angle, the teeth depth and teeth pitch of the sawblade easily. Therefore, the edgy sawblade could be ground out rapidly and precisely.

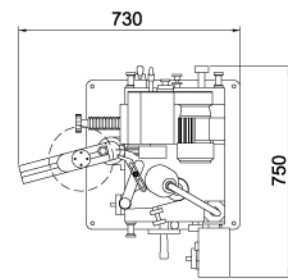
全新的設計，本著操作者的立場所設計的研磨機，其所有的調整桿，均做了合理的排列，讓操作者可以很容易調整鋸齒的切削角、背隙角、齒深及齒距，所以可以快而準確的研磨出鋒利的鋸片。

Tooth Shape Cam 齒形凸輪

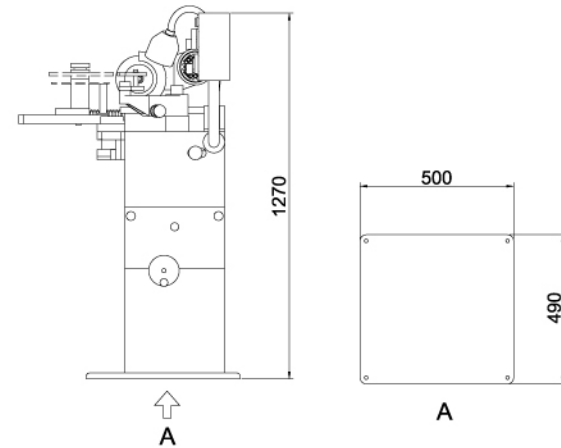
- Through an accurate calculated mimic process of the computer, the industrial class and professional tooth shape cam could be designed. In this way, it would make your grinding of the sawblade more simple, more fast and more accurate. 經過電腦精密計算模擬，所設計出的工業級的專業齒形凸輪，使你的鋸片研磨更為簡單、快速精準。
- The grinding head could do an up-and-down sawing, therefore, the chamfer angle could be ground out without changing the cam. 砂輪頭可以上下擺動，所以可不必更換砂輪，即可研磨出倒角。
- The tungsten carbide tipped pushing jaw provides maximum wear resistance to achieve the accurate feeding. 推進爪末端焊有碳化鎢，可使進給爪的磨損減至最低，以達到精確的推給。
- Applying the ball black lead cast iron (FCD-45) to all the cast irons in this machine. Also, 1 tempered process is accomplished to ensure the accuracy and to increase the wear resistance. 本機所有的鑄鐵均採用球狀石墨鑄鐵(FCD-45)，並經回火處理，以確保精度，及增加耐磨性。
- All of the main parts uses SKD 11 high carbide steel. Also, the grinding and the heat treatment process are accomplished. 主要零件均採用SKD11高碳鋼，並經熱處理研磨。
- The push arm spring is reformed. It uses rotary spring to avoid the elastic deformation of the spring and to ensure the precision of the feeding. 推臂彈簧經過改良，使用回轉式彈簧，不易彈性疲乏，確保推給準確。

推臂彈簧經過改良，使用回轉式彈簧，不易彈性疲乏，確保推給準確。

- Apply the high tensile alloy brass to the support of the sawblade feeding shaft and insert the high-tech-made concrete lubricant into it. It's specialty of high load carrying capacity and well wear-resistance could accomplish the oil-less feed function totally. 鋸片推給軸支持座，使用高強度銅合金作基材，埋入高科技技術製造之固體潤滑劑，其高負荷、耐磨耗的特性更達到完全無給油功能。
- Using the feeding shaft in 30mm. The spindle is enlarged and the heat treatment process are accomplished. 推給軸使用30mm，加大軸心並經熱處理及研磨。



Measurement 尺寸圖



Specifications 規格表

Grinding Range 研磨範圍	Optional accessories 選購配件	Ø65-450mm Ø35-100mm
Tooth pitch 齒距		25 mm Max. 最大
Sawblade Thickness 鋸片厚度		8 mm Under 以下
Grinding speed 研磨速度		72~143 teeth/min 113~223 齒/分鐘
Cutting angle 切削角		0~30°
Grinding wheel diameter 砂輪外徑		Ø70~Ø150
Grinding wheel motor 砂輪馬達		1/3 HP
Transmission motor 傳動馬達		1/2 HP
Grinding wheel speed 50HZ/60HZ 砂輪轉速		3800/4500 rpm
Package size 裝箱尺寸		97 x 78 x 154 cm
Net weight/gross weight 淨重/毛重		190 / 255 kg

Standard Fittings 標準配件

Work lamp 工作燈		1pc 個
Tool box 工具箱		1set 套
Operation Manual 說明書		1copy 份
Guide Plate 導板		2pcs 片
Grinding wheel 砂輪		10pcs 片

※ All specifications, designs and characteristics shown in this catalogue are subject to change without prior notice. 因設計或製造上的需要，如有變更恕不另行通知。

HIGH METICULOUS



Chamfer diagram 倒角示圖



Chamfer diagram 倒角示圖

TOOTH TYPE 齒型
For Non Ferrous Metal 非鐵用



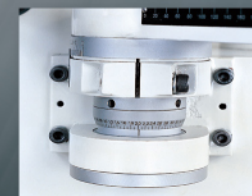
For Ferrous Metal 鐵用



Grinding wheel tilting adjustment 砂輪上下擺動刻度



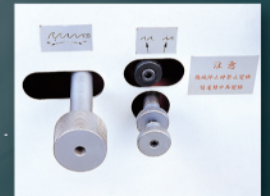
High/Low teeth indicator meter 高低齒量錶



Blade thickness adjustment 鋸齒厚度調整刻度



Stepless speed Adjustment 無段變速



High/Low teeth grinding adjustment 高低齒調整鈕