

S500 圓鋸片研磨機

SAWBLADE SHARPENING MACHINE

Professional Saw blade Sharpening Machine 專業級的鋸片研磨機

Brand-new Design 功能介紹

- The patented, elegant, and fully-enclosed splash guard is standard accessory. The splash guard is designed to prevent from dust pollution during wet sharpening and reduces noise.
專利的全罩式防護蓋結合美觀的流線型，本機全罩式安全防護蓋為標準配備，並以溼式研磨，防止粉塵污染及降低噪音。
- The newly designed window provides wide vision and easy to view the grinding object. The splash guard is easy to open and convenient to change the saw blade. 設計新穎，獨樹一格的大型窗口，提供寬廣視野，可用於觀察被磨物件，無需費勁即可打開弧形門工作，更換鋸片更方便。
- This professional saw blade sharpening machine is well-designed based on our years of experience. 本機經過多年的精心設計，是一部專業級的鋸片研磨機。
- Brand-new design: This sharpening machine is designed from the operator's point of view. The adjusting levers are arranged ideally for the operator to adjust easily the cutting angle, the back clearance angle, the teeth depth and teeth pitch of the saw blade. Therefore, the edgy saw blade can be ground out rapidly and precisely. 全新的設計，本署操作者的立場所設計的研磨機，其所有的調整桿，均做了合理的排列，讓操作者可以很容易調整鋸齒的切削角、背隙角、齒深及齒距，所以可以快而準確的研磨出鋒利的鋸片。

Stepless Change (Continuous Variable Speeds) 無段變速

- It uses the frequency inverter to control the grinding speed. Therefore, the grinding speed can be adjusted easily following the changes of the teeth pitch according to the requirement. It doesn't use the step pulley so there is no pulley consuming problem.
使用變頻器來控制研磨速度，所以可隨齒距的變化來調整所需要的研磨速度，本機不使用變速皮帶輪，所以沒有變速皮帶輪損耗的問題。

The Adjustment Of Saw Blade Thickness 鋸片厚度調整

- The saw blade thickness is adjusted by a precision graduator, which can accurately adjust the center point of the saw blade.
鋸片厚度經由一個精密的刻度表，可以準確的調整出鋸片的中心點。

Sharpening Capability Of High-low Teeth 高低齒的研磨功能

- The difference of high-low teeth is adjusted by a control dial. The C type teeth with high-low difference can be ground out once.
由一個齒高低差控制鈕調整，可以同時研磨出有高低差的C型齒。

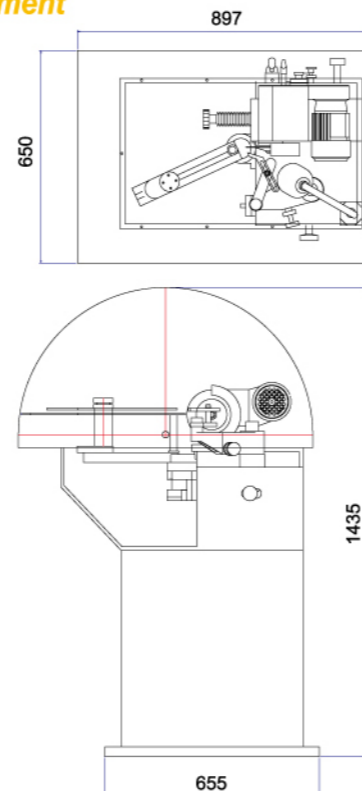
Tooth Shape Cam 齒形凸輪

- The industrial and professional tooth shape cam is designed through an accurately calculated mimic process of the computer. It makes your saw blade grinding jobs simpler, faster and more accurate.
經過電腦精密計算模擬，所設計出的工業級專業齒形凸輪，使你的鋸片研磨更為簡單、快速精準。
- The grinding head can be adjusted up-and-down, so the chamfer angle can be ground out without changing the cam.
砂輪頭可以上下擺動，所以可不必更換砂輪，即可研磨出倒角。
- The tungsten-carbide-tipped pushing jaw has maximum wear resistance to maintain the accurate feeding.
推進爪末端焊有碳化鎢，可使進給爪的磨損減至最低，以達到精確的推給。
- Casting of machine are made of ductile iron(FCD-45) for the best wear resistance, tempered and stress relief.
本機所有的鑄鐵均採用球狀石墨鑄鐵(FCD-45)，並經回火處理，以確保精度，及增加耐磨性。
- All of the main parts are made of SKD 11 alloy steel, hardened and precision ground.
主要零件均採用SKD11高碳鋼，並經熱處理研磨。



- The spring of push arm is reformed to ensure the precision of the feeding. Rotary type spring has better resistance from elasticity fatigue.
推臂彈簧經過改良，使用回轉式彈簧，不易彈性疲乏，確保推給準確。
- The support base of the saw blade feeding shaft uses the high tensile brass alloy and embeds the high-tech-made solid lubricant inside. It features heavy load capacity and good wear-resistance to accomplish the oil-free feed function.
鋸片推給軸支持座，使用高強度銅合金作基材，埋入高科技技術製造之固體潤滑劑，其高負荷、耐磨耗的特性更達到完全無給油功能。
- The enlarged 30mm feeding shaft is hardened and precision ground.
推給軸使用 $\varnothing 30\text{mm}$ ，加大軸心並經熱處理及研磨。

Measurement 尺寸圖



Specifications 規格表

Grinding Range 研磨範圍	Optional accessories 選購配件	$\varnothing 65-500\text{mm}$ $\varnothing 35-100\text{mm}$
Tooth pitch 齒距		25 mm Max. 最大
Sawblade Thickness 鋸片厚度		8 mm under 以下
Grinding speed 研磨速度		30~135 teeth / min 齒/分鐘
Cutting angle 切削角		0~30
Grinding wheel diameter 砂輪外徑		$\varnothing 70-\varnothing 150$
Grinding wheel motor 砂輪馬達		1/3 HP
Transmission motor 傳動馬達		1/2 HP
Grinding wheel speed 50HZ/60HZ 砂輪轉速		3800 / 4500 rpm
Packing size 裝箱尺寸		117 x 98 x 170 cm
Net weight/gross weight 淨重/毛重		292 / 360 kg

Standard Fittings 標準配件

Work lamp 工作燈		1pc 個
Tool box 工具箱		1set 套
Operation Manual 說明書		1copy 份
Guide Plate 導板		2pcs 片
Grinding wheel 砂輪		10pcs 片

※ All specifications, designs and characteristics shown in this catalogue are subject to change without prior notice.
因設計或製造上的需要，如有變更恕不另行通知。

HIGH METICULOUS



Chamfer diagram 倒角示圖

Charmfer diagram 倒角示圖

TOOTH TYPE 齒型

For Non Ferrous Metal 非鐵用



Fore Ferrous Meta 鐵用



Patent!