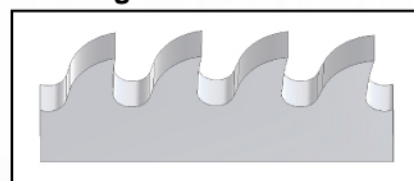


SU1200 摩擦式鋸片研磨機

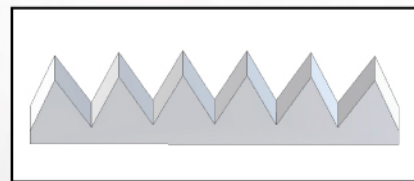
FRICION SAW BLADE SHAREPENING MACHINE



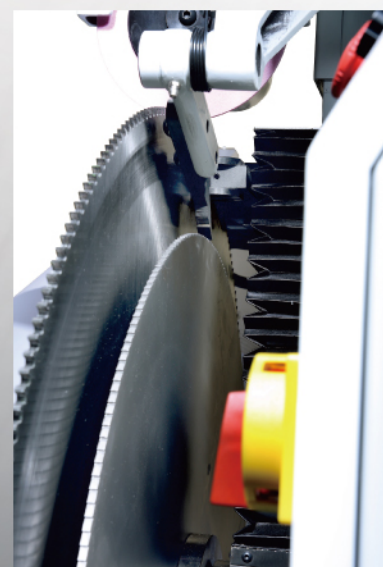
Grinding Series 研磨例



Friction Saw Blade 摩擦式鋸片



Friction Saw Blade 摩擦式鋸片
ECO



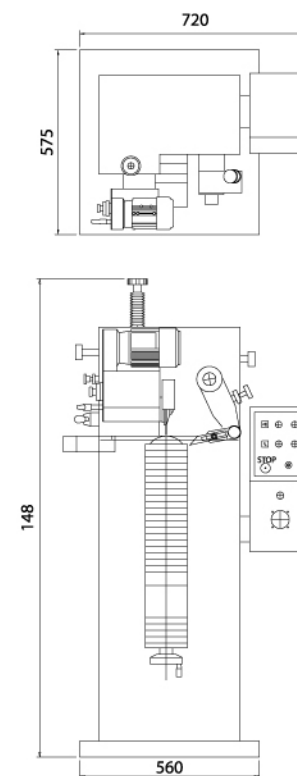
Stepless speed variation adjustment button 無段變速調整鈕

SU850 摩擦式鋸片研磨機

FRICION SAW BLADE SHAREPENING MACHINE

SU850

Measurement 尺寸圖



Specifications 規格表

Grinding Range 研磨範圍	Ø250~850 mm
Teeth Pitch 齒距	25 mm
Saw Blade Thickness 鋸片厚度	12 mm
Grinding Speed 研磨速度	10~100
Cutting Angle 切削角	-5~+15
Grinding Wheel Diameter 砂輪外徑	Ø150~180 mm
Grinding Wheel Motor 砂輪馬達	1/2 HP
Transmission Motor 傳動馬達	1/2 HP
Grinding Wheel Speed (50Hz / 60Hz) 砂輪轉速	3800/4500 rpm
Net Weight / Gross Weight 淨重/毛重	260 / 330 KG
Package Size 裝箱尺寸	85x120x180 cm

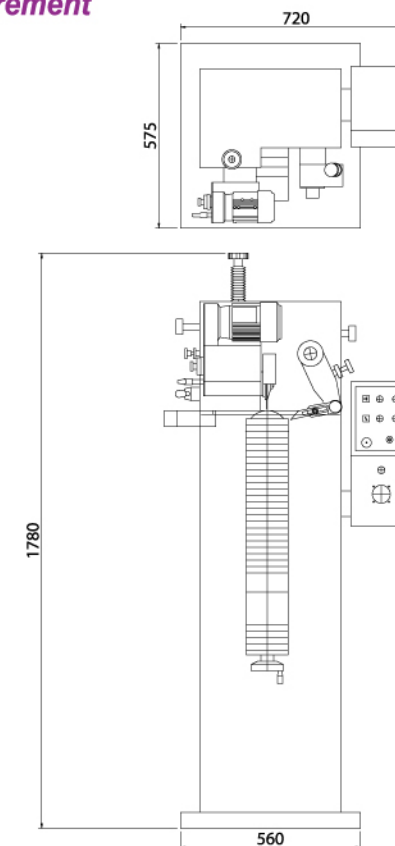
Standard Accessory 標準配備

Work Light 工作燈	1 pc 個
Tool Box 工具箱	1 set 套
Instruction Manual 說明書	1 copy 份
Guide Plate 導板	1 pc 片
Grinding Wheel 砂輪	5 pcs 片

※ All designs, spec. and characteristics shown as above is subject to any change without further notice.
因設計或製造上的需要，如有變更恕不另行通知。

SU1200

Measurement 尺寸圖



Specifications 規格表

Grinding Range 研磨範圍	Ø350~1200 mm
Teeth Pitch 齒距	25 mm
Saw Blade Thickness 鋸片厚度	12 mm
Grinding Speed 研磨速度	10~100
Cutting Angle 切削角	-5~+15
Grinding Wheel Diameter 砂輪外徑	Ø150~180 mm
Grinding Wheel Motor 砂輪馬達	1/2 HP
Transmission Motor 傳動馬達	1/2 HP
Grinding Wheel Speed (50Hz / 60Hz) 砂輪轉速	3800/4500 rpm
Net Weight / Gross Weight 淨重/毛重	285 / 395 KG
Package Size 裝箱尺寸	85x120x215 cm

Standard Accessory 標準配備

Work Light 工作燈	1 pc 個
Tool Box 工具箱	1 set 套
Instruction Manual 說明書	1 copy 份
Guide Plate 導板	1 pc 片
Grinding Wheel 砂輪	10 pcs 片

※ All designs, spec. and characteristics shown as above is subject to any change without further notice.
因設計或製造上的需要，如有變更恕不另行通知。